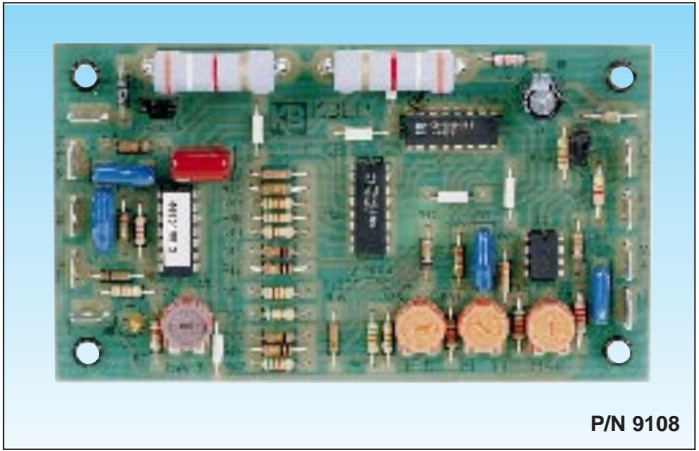


KBEP-240D

ELECTRONIC POTENTIOMETER

Provides Digital Type Control
For
Analog Motor Speed Controls

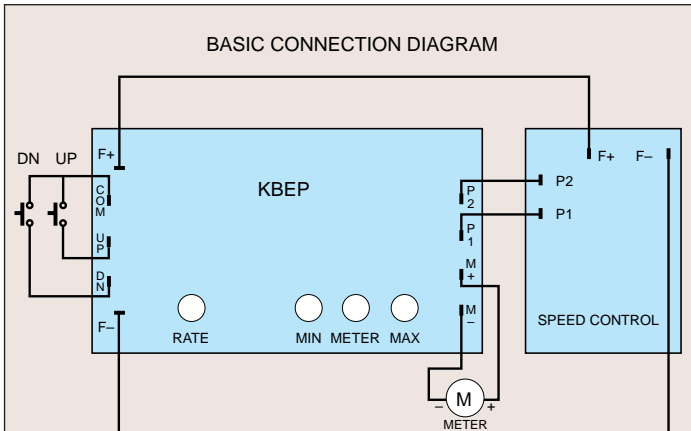


P/N 9108

SPECIFICATIONS

Power Requirements	100/200 VDC
Output Voltage	0 – 10 VDC
Output Meter Signal (Volts)	0 – 10 VDC
Output Meter Signal (Amps).....	0 – 10 mA
Dimensions (Inches)	2.80" W x 4.85" L x 1.1" H
Dimensions (mm)	71.10mm x 123.20mm x 28mm

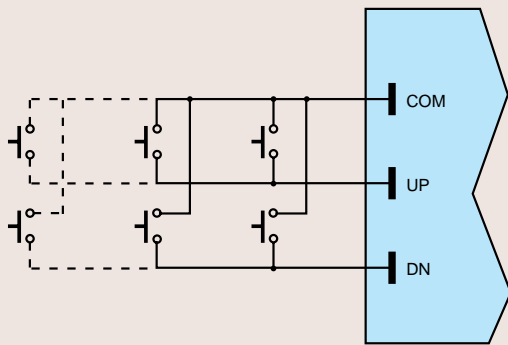
BASIC WIRING



DESCRIPTION

The KBEP-240D is designed to provide digital type control of a motor speed control. It replaces the standard rotary potentiometer with a set of momentary pushbuttons or membrane switches (customer supplied), one to increase speed ("UP") and the other to decrease speed ("DOWN"). Pressing the "UP" button will increase the speed as long as the button is pressed, or until the maximum preset speed is reached. Pressing the "DOWN" button will decrease speed until the minimum preset speed is reached. The rate at which the unit increases and decreases is adjustable via the rate trimpot (.5 - 8 secs.). The unit contains a separate meter output which can be used to operate a digital or analog meter. Jumper J2 is provided for selecting either a volt-meter (0-10 VDC) or ammeter (0-10 mA). The meter scale can be calibrated to desirable units with the built-in Meter Scale Trimpot (METER). A minimum speed trimpot (MIN) is also provided which is used to preset the minimum level of motor speed and meter output. A maximum speed trimpot (MAX) is used to set the maximum output speed of the motor.

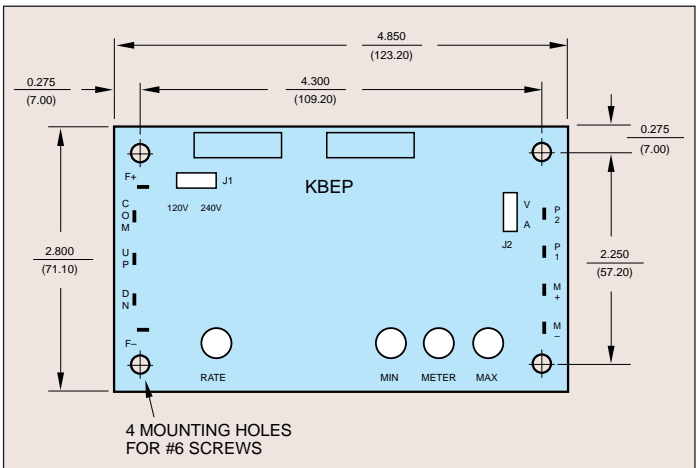
MULTIPLE POTENTIOMETER STATIONS CONNECTION DIAGRAM



The KBEP-240D can be used as a master potentiometer in applications where multiple potentiometer stations are required. See Wiring Diagram.

MECHANICAL SPECIFICATIONS

INCHES
[mm]



4 MOUNTING HOLES
FOR #6 SCREWS

© 1998 KB Electronics, Inc.